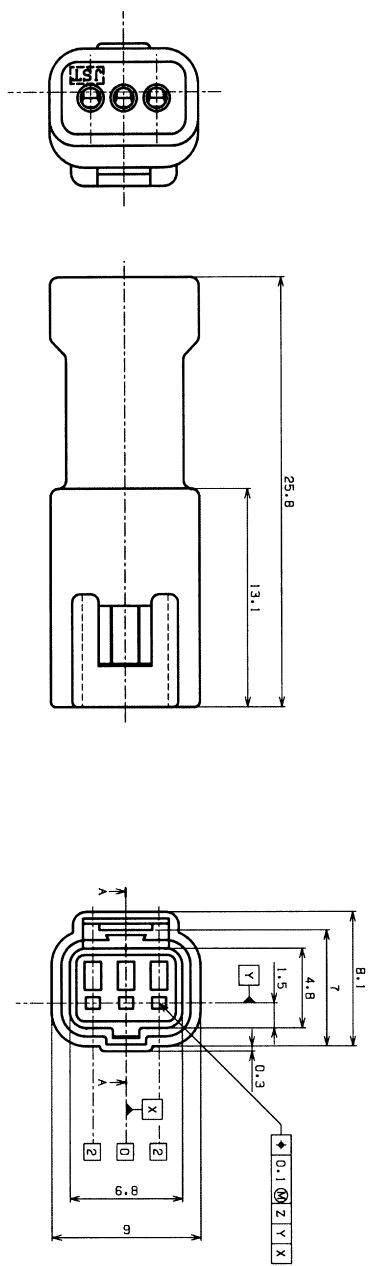
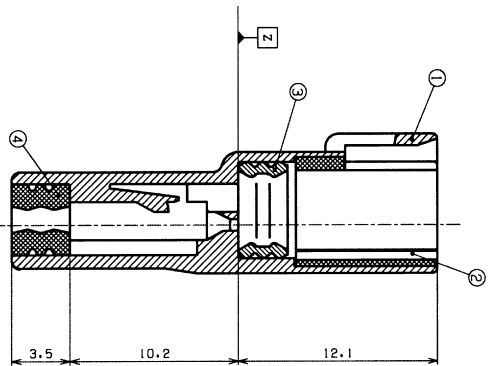
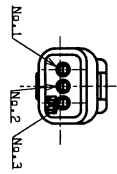


REV.	DESCRIPTION	DATE	DESIGNED
-2	Drawing renewal	Dec.26,2000	K.Yuasa



NOTE  
 1.Unless otherwise specified tolerances are  
 5X:0.1:0.2  
 13X:0.2  
 2.Location of circuit number.



Section A-A

NO.	PART NAME	SEALS	PROTECTION DATE	MATERIAL	SURFACE FINISH	REMARKS
1	TAB HOUSING			PBT(Natural)	UL94V-0	
2	Seal Ring Holder			PBT(Yellow)	UL94V-0	
3	Seal Ring			SI (Blue)	UL94V-0	
4	Seal Rubber Plate			SI (Light Blue)	UL94V-0	

APPROVED	CHECKED	DESIGNED	DRAWN
A2	METRIC 10:1	DEC.26,2000	

APPROVED	CHECKED	DESIGNED	DRAWN
A/Tomita		K.Yuasa	N.Matsui

BRIDGE NAME	PART No.	DRAWING No.	RD
TAB HOUSING ASSEMBLY, JPP CONNECTOR	03T-JMPF-VCLB-S	KR0-25217-2	RD



THIS DRAWING CONTAINS INFORMATION THAT IS PROPRIETARY TO J.S.T. AND SHOULD NOT BE USED WITHOUT WRITTEN PERMISSION.